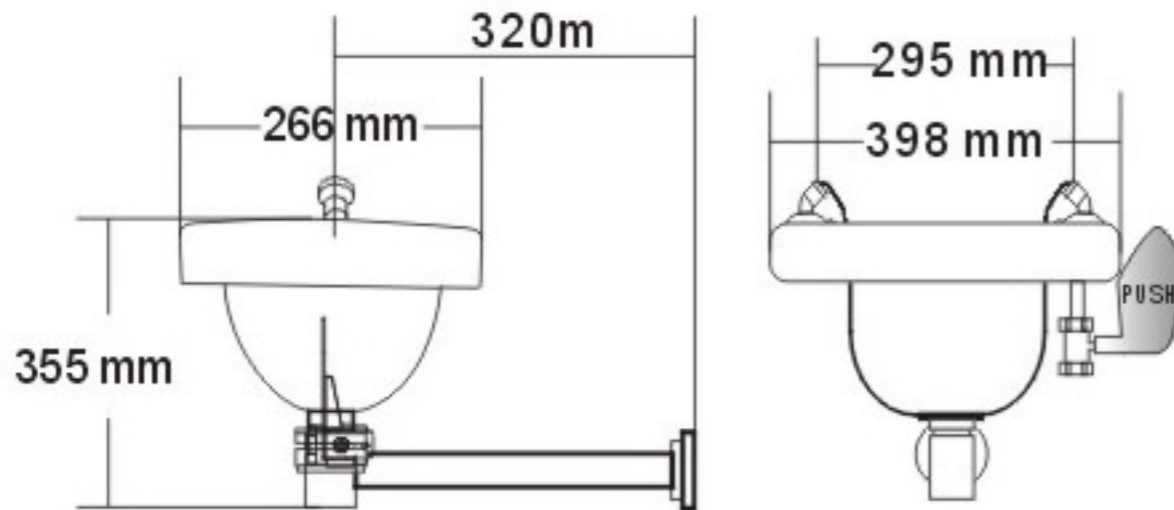


B200



Specification:

1. Eyewash Bowl: ABS plastic in safety yellow.
2. Valve: Eye washer valve is made of 1/2" brass ball valve.
3. Water supply: 1/2" IPS & water outlet: 1" IPS.
4. Water working pressure: 0.2MPA-0.8MPA.
5. Flow control: 12L/Min.
6. Original water: Clean water or leached water.
7. Activation: Eye washer is activated by push handle.
8. Package: Carton size: 52X29X26CM
1 set per export carton
G.W.: 4.5KG N.W.: 4KG

**Meets EN15154-1 & 2
ANSI Z358.1**